

CTR-30C Flashing Christmas Tree Instruction

CTR-30C Flashing Christmas Tree is made from three circuit boards, users can weld and assemble all by themselves to make 36 LEDs flash alternately. The Christmas tree will be showed as 3D contour and the view effects could be better in night.

一. Specification:

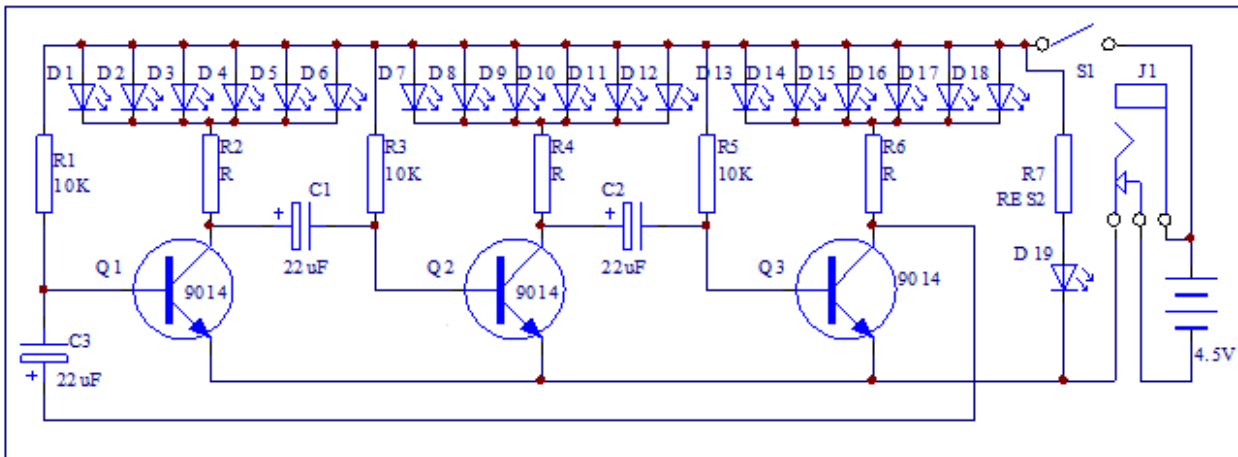
Name: Flashing Christmas Tree

Type: CTR-30

Working Voltage: DC4.5—5V

Site: 60*60*136mm

二. Schematic:



三. Package List

CTR-30A Package List:

| Name | Specification | Num | Qty | Name | Specification | Num | Qty |
|-----------|---------------|----------|-----|------------|---------------|---------|-----|
| Resistor | 1K | R6 | 1 | LED | 3mm | D1~D6 | 7 |
| | 1K | R2 R4 | 2 | | 3mm | D7~D12 | 6 |
| | 2.2K | R7 | 1 | | 3mm | D13~D18 | 6 |
| | 10K | R1 R3 R5 | 3 | Transistor | 9014 | Q1~Q3 | 3 |
| Capacitor | 47uF/16V | C1 C2 C3 | 3 | PCB | CTR-30A | 1 | 1 |

CTR-30B Package List:

| Name | Specification | Num | Qty | Name | Specification | Num | Qty |
|-----------|---------------|----------|-----|------------|---------------|---------|-----|
| Resistor | 1K | R2 | 1 | LED | 3mm | D7~D12 | 6 |
| | 1K | R6 | 1 | | 3mm | D13~D18 | 6 |
| | 1K | R4 | 1 | | 3mm | D1~D6 | 6 |
| | 10K | R1 R3 R5 | 3 | Transistor | 9014 | Q1~Q3 | 3 |
| Capacitor | 47uF/16V | C1 C2 C3 | 3 | PCB | CTR-30B | 1 | 1 |

CTR-30C Package List:

| Name | Specification | Num | Qty | Name | Specification | Num | Qty |
|---------|---------------|-----|-----|-------|---------------|-----|-----|
| Switch | 5.8mm | S1 | 1 | Nut | 2mm | 2 | 2 |
| DC | 3.5mm | J1 | 1 | Power | US to DC | 1 | 1 |
| Battery | 3 x AA | 1 | 1 | PCB | CTR-30C | 1 | 1 |
| Screw | 2*8mm | 2 | 2 | | | | |